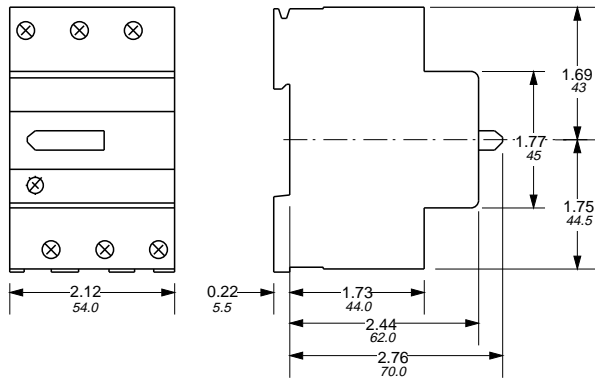


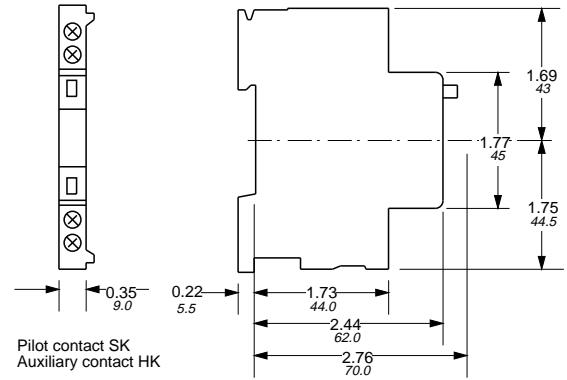
Approximate dimensions for manual motor starters MS325

← 00.00 Inches
00.00 Millimeters →

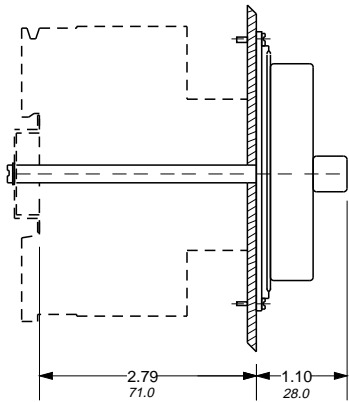
MS325



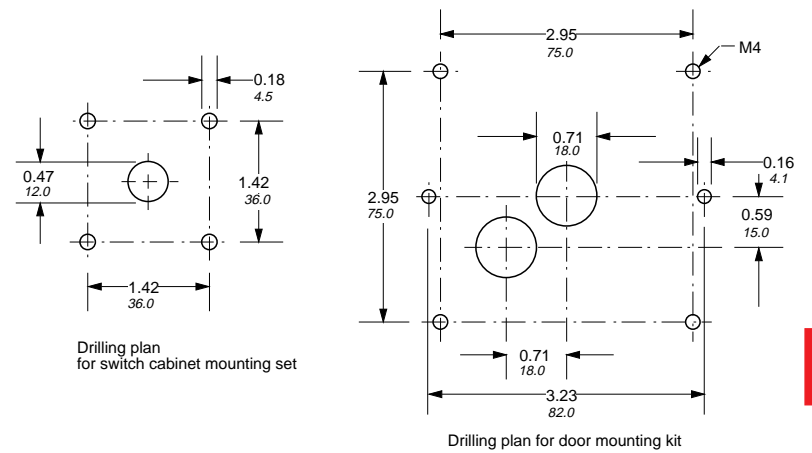
Bell alarm contact block for MS325



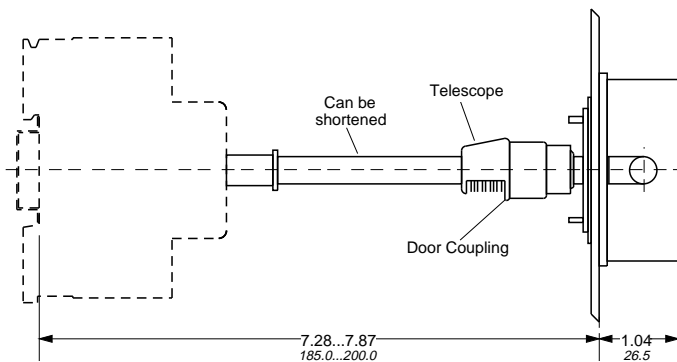
Door mounting kit for MS325



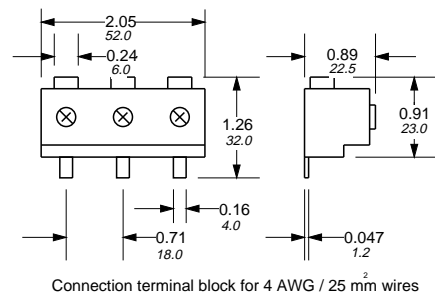
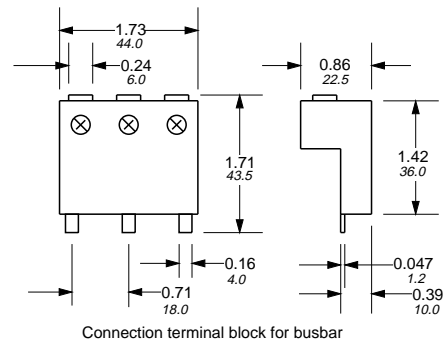
Drilling plans for MS325



DIN rail mounting kit for MS325



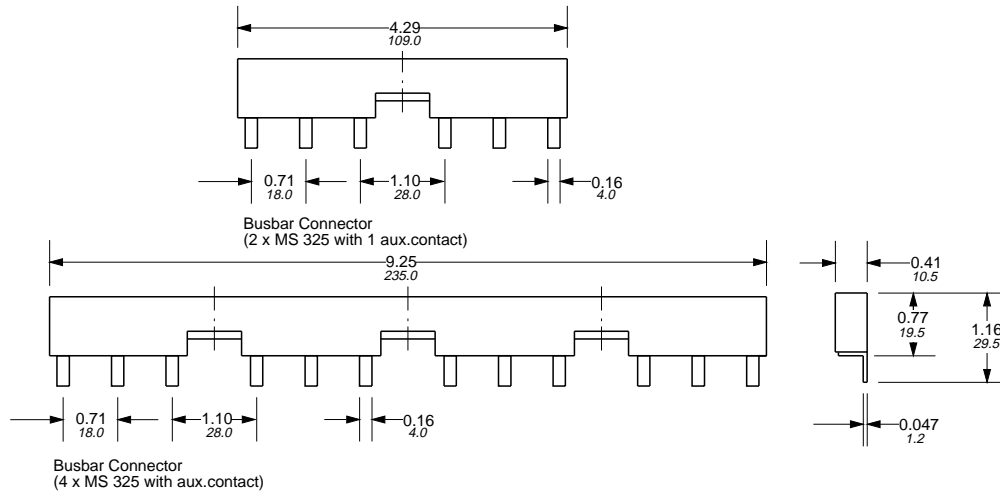
Terminal blocks for MS325



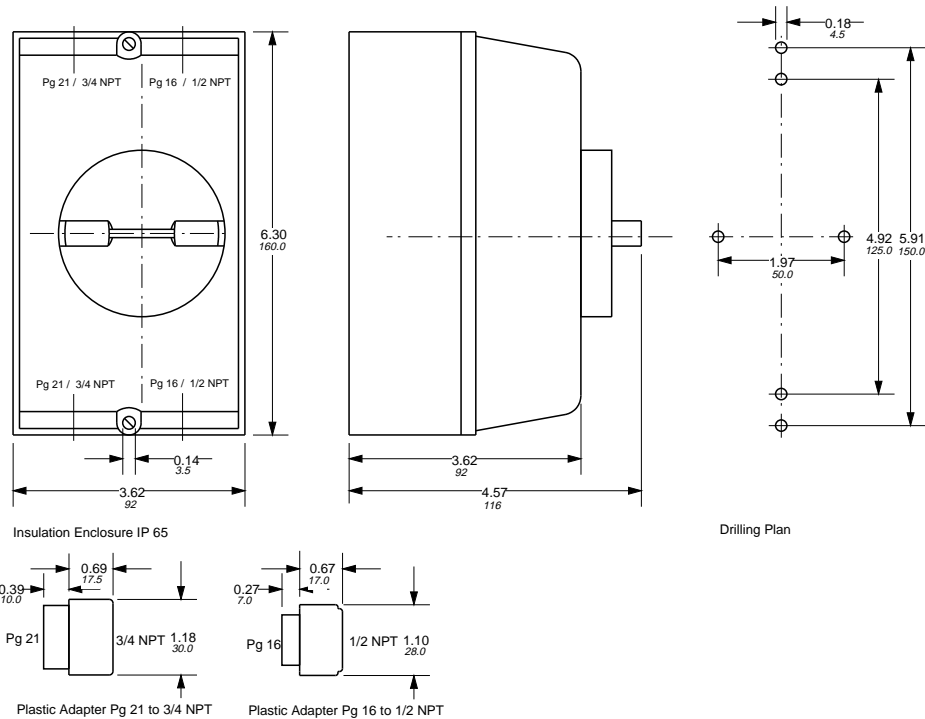
Approximate dimensions for manual motor starters Accessories for MS325

00.00 Inches
00.00 Millimeters

Busbar connectors for MS325



Molded plastic enclosures for MS325 MS325-EP2 and MS325-EP3



5

Approximate dimensions for manual motor starters Accessories for MS325

\leftarrow 00.00 Inches
 00.00 \rightarrow Millimeters

Molded plastic enclosures for MS325 MS325-EP4 and MS325-EP5

